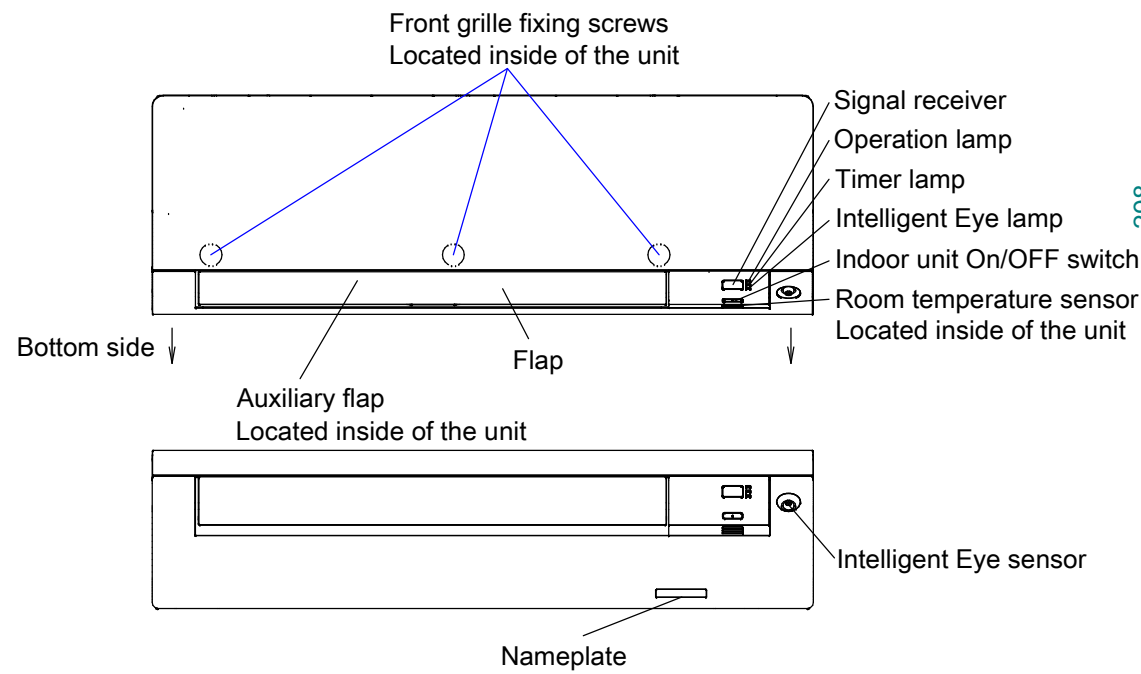
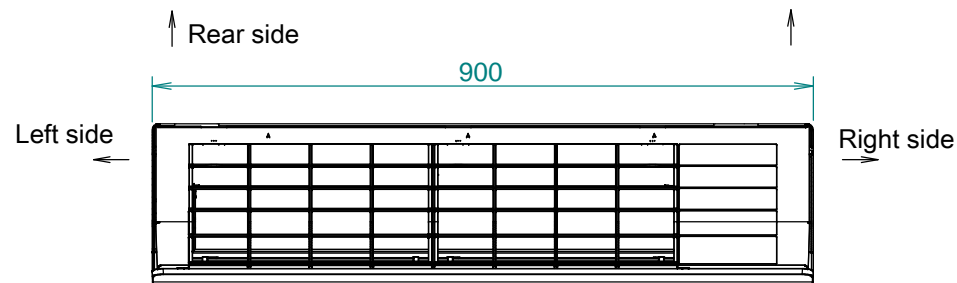
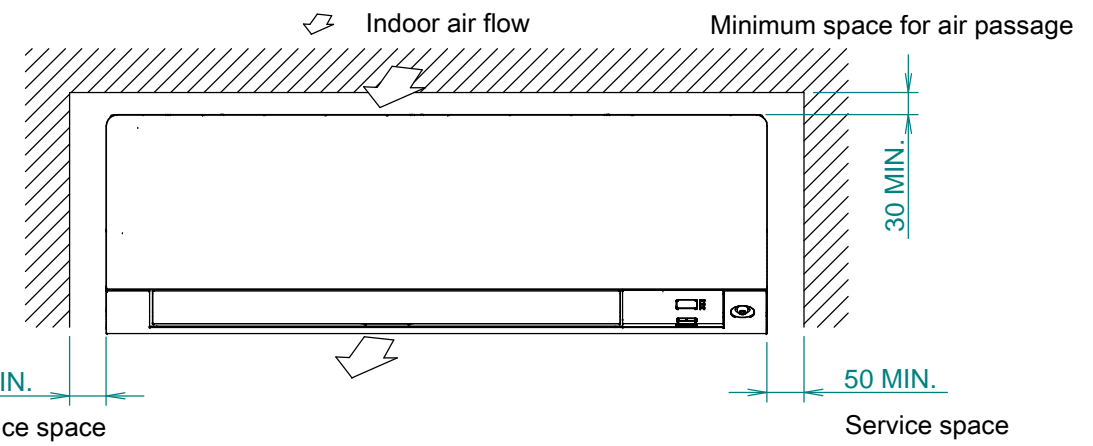
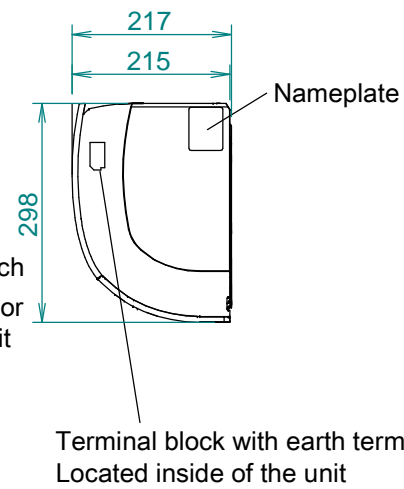


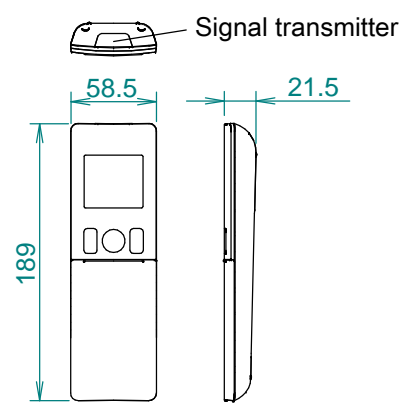
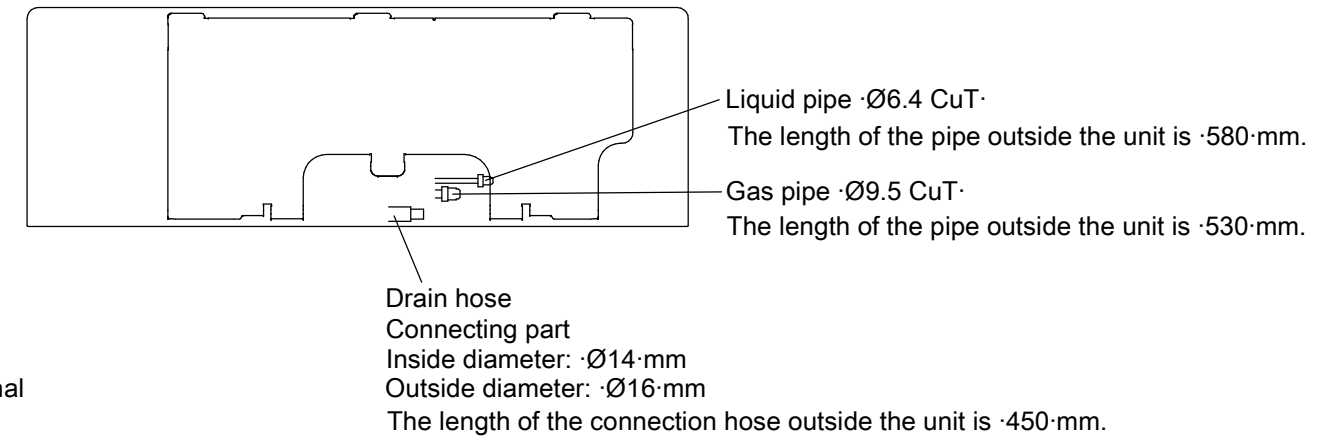
The (→) mark shows the piping direction.



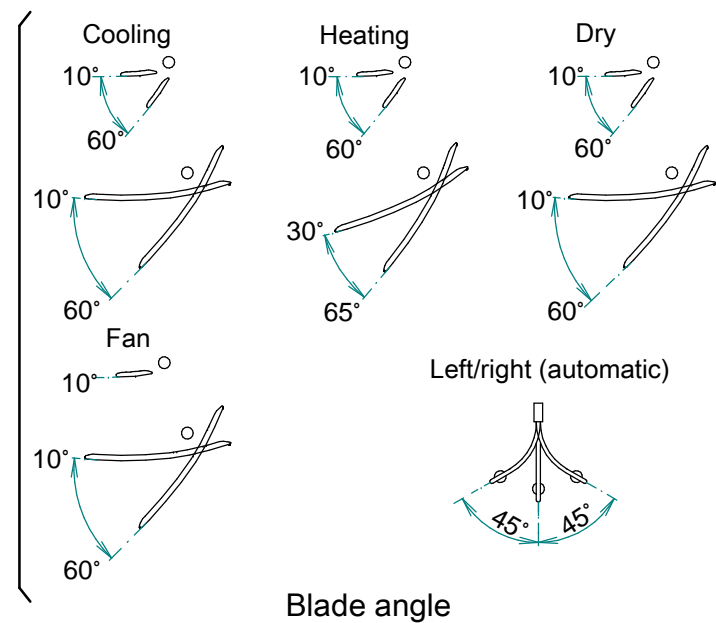
Including mounting plate



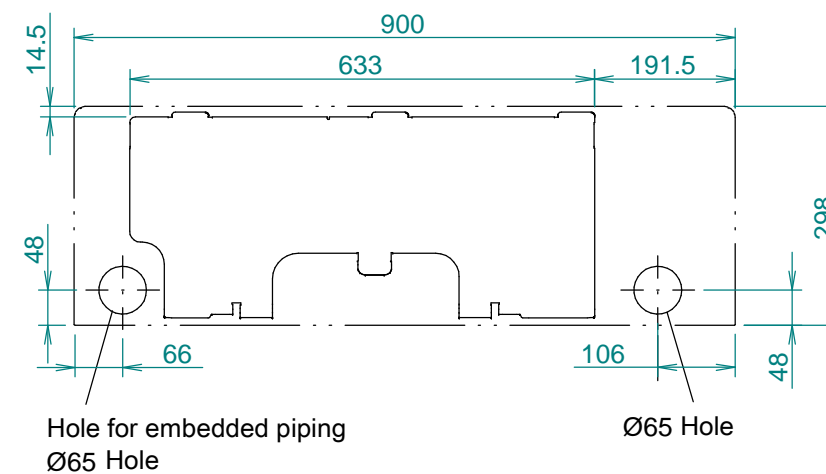
Required space for service and ventilation



Remote control | Infrared type (ARC466A9)



Blade angle



Standard location of holes in the wall